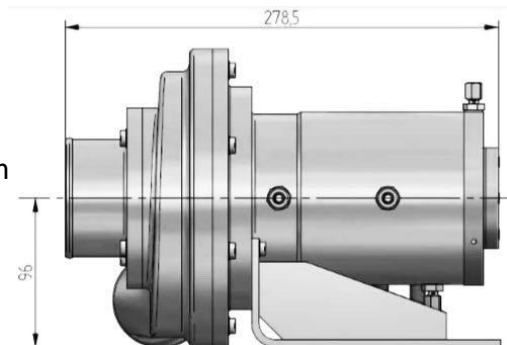


Salzdahlumer Str. 196 D-38126 Braunschweig

Air Compressor 3W-130-2.8 for fuel cell system

Compact **Light** **Quiet** **100% oil-free**

- Worldwide leading turbo technology
- Mass flow 130g/s for up to 100kW fuel cell system
- Maximal pressure ratio 2.8
- Super light and very compact
- Very efficient
- Spiral groove gas bearing
- 100% Oil-free



Specification

Design	Single-stage
Nominal output power	13kW
Pressure ratio	Max. 2.8
Air Mass flow	Max. 130g/s
Operating voltage	400V
DC supply voltage to Inverter	Max. 800 VDC
Bearing type	Aerodynamic gas-bearing
Speed	Max. 120 000 rpm
Dimension	27.8*21.6*19.2cm
Weight	10.8kg
Noise	<70dB



Salzdahlumer Str. 196
D-38126
Braunschweig
Germany

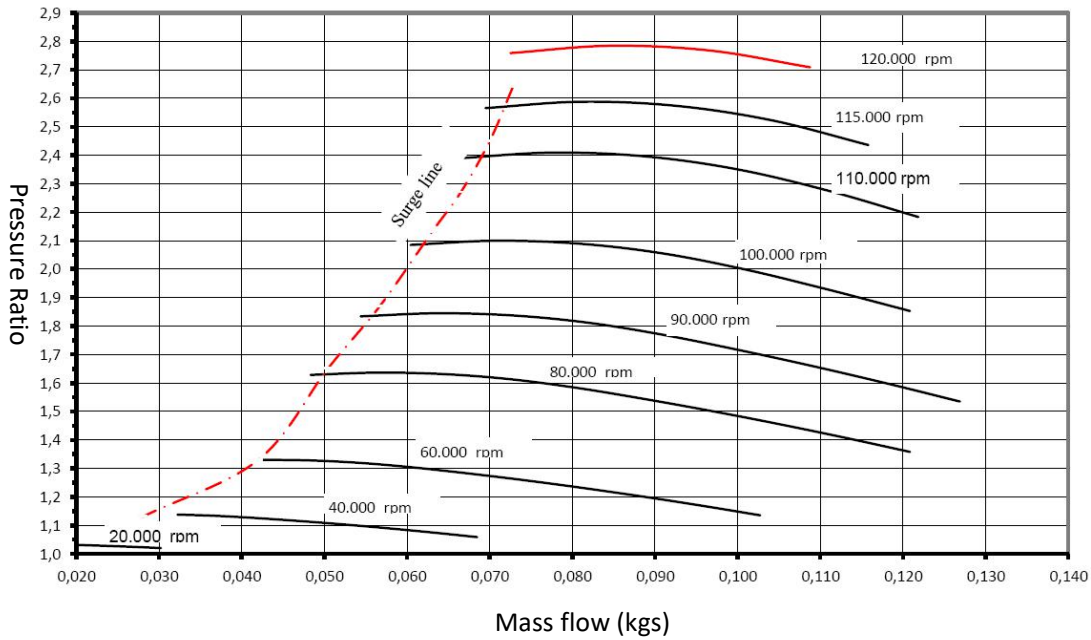
Tel.:
+49 (0) 531 129 399 18
Fax.:
+49 (0) 531 129 399 29

Handelsregister:
Braunschweig
HRB 208759
www.3wturbo.com

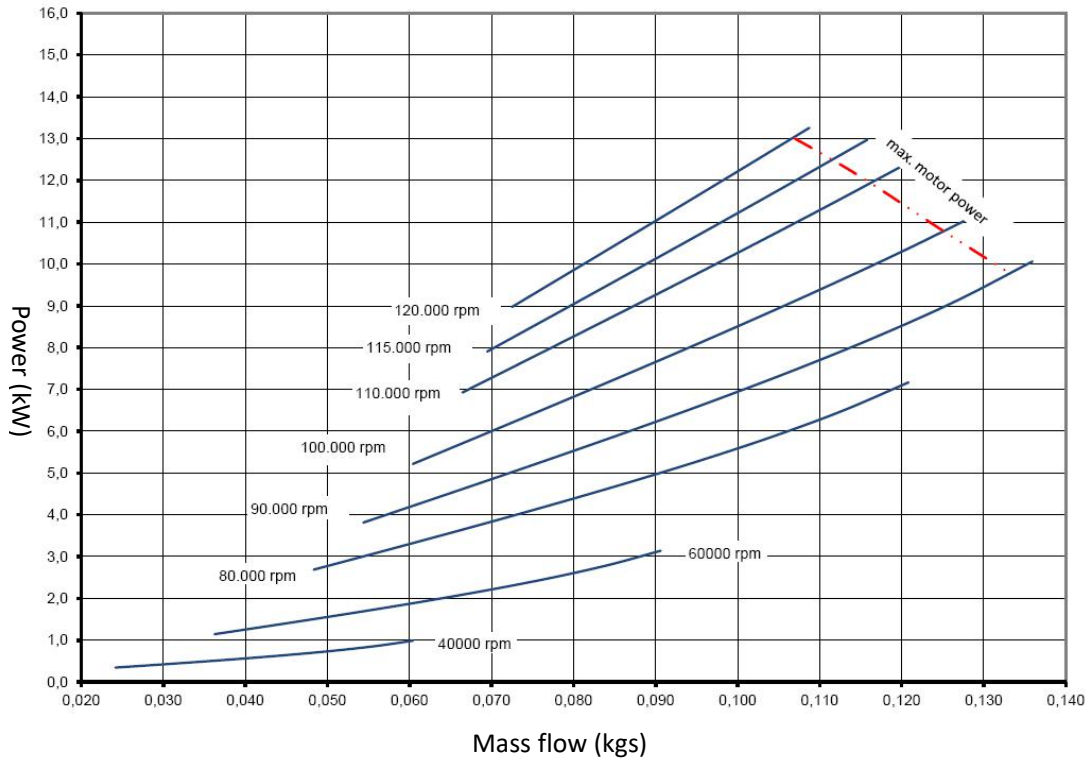
Bankverbindung:
Volksbank eG Braunschweig
IBAN: DE28 2699 1066 8989 8930 00
BIC: GENODEF1WOB

Compressor map

Pressure ratio – Mass flow



Power-Mass flow



Salzdahlumer Str. 196
D-38126
Braunschweig
Germany

Tel.:
+49 (0) 531 129 399 18
Fax.:
+49 (0) 531 129 399 29

Handelsregister:
Braunschweig
HRB 208759
www.3wturbo.com

Bankverbindung:
Volksbank eG Braunschweig
IBAN: DE28 2699 1066 8989 8930 00
BIC: GENODEF1WOB